

This Page Is Inserted by IFW Operations  
and is not a part of the Official Record

## **BEST AVAILABLE IMAGES**

Defective images within this document are accurate representations of the original documents submitted by the applicant.

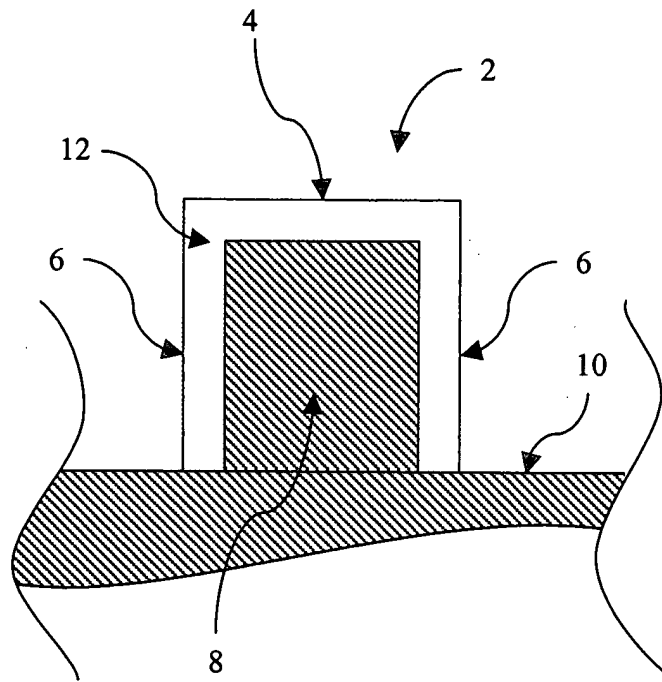
Defects in the images may include (but are not limited to):

- BLACK BORDERS
- TEXT CUT OFF AT TOP, BOTTOM OR SIDES
- FADED TEXT
- ILLEGIBLE TEXT
- SKEWED/SLANTED IMAGES
- COLORED PHOTOS
- BLACK OR VERY BLACK AND WHITE DARK PHOTOS
- GRAY SCALE DOCUMENTS

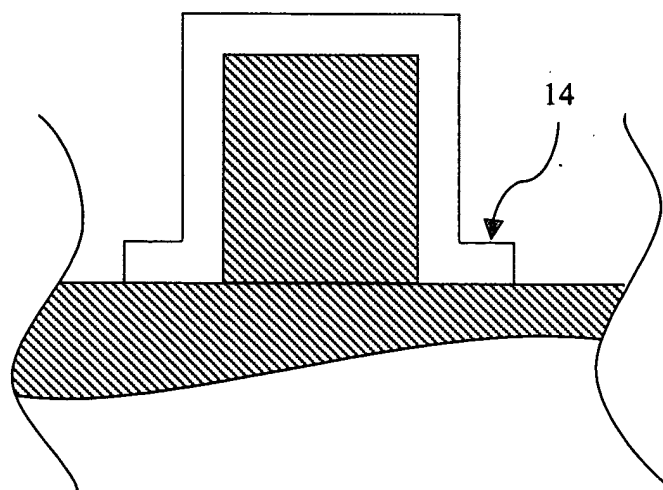
**IMAGES ARE BEST AVAILABLE COPY.**

**As rescanning documents *will not* correct images,  
please do not report the images to the  
Problem Image Mailbox.**

**Figure 1**

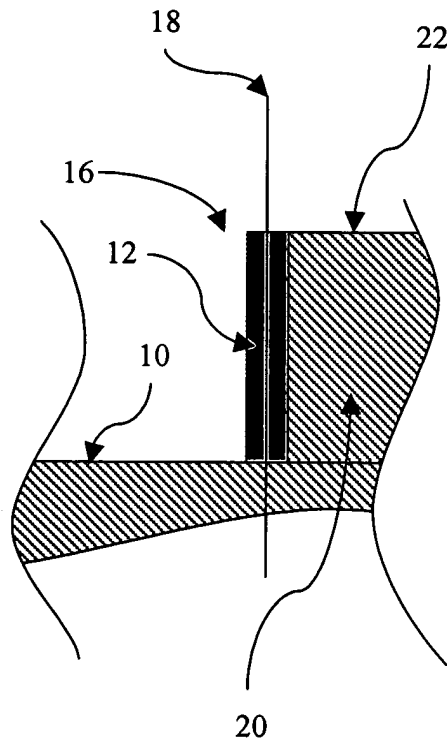


*Fig. 1a*

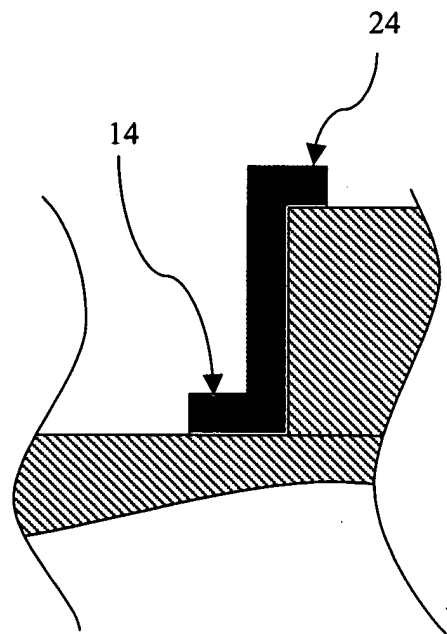


*Fig. 1b*

**Figure 2**

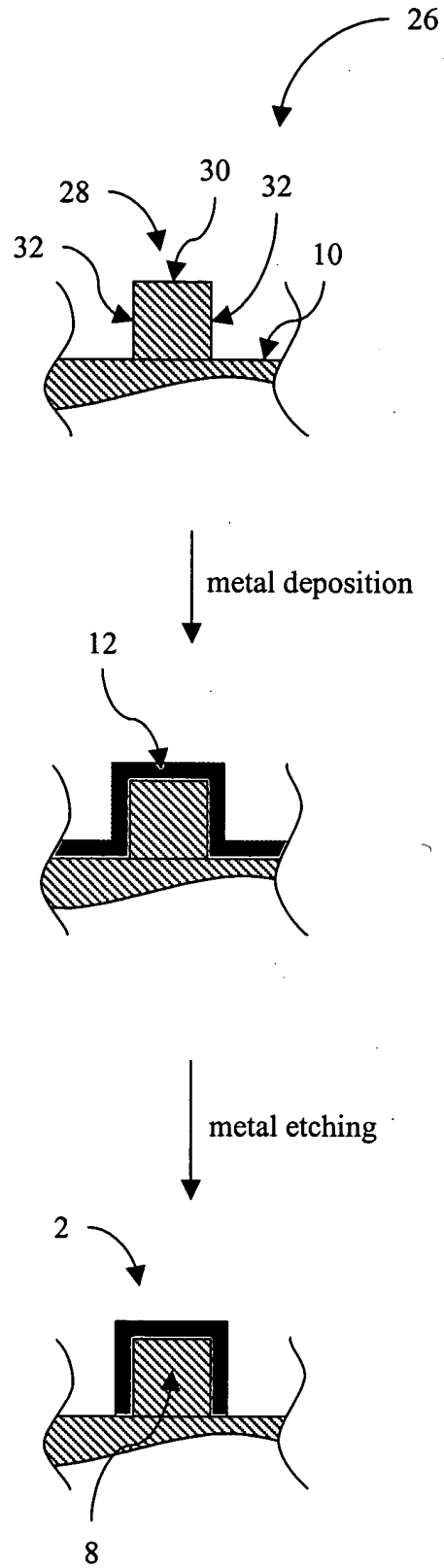


*Fig. 2a*

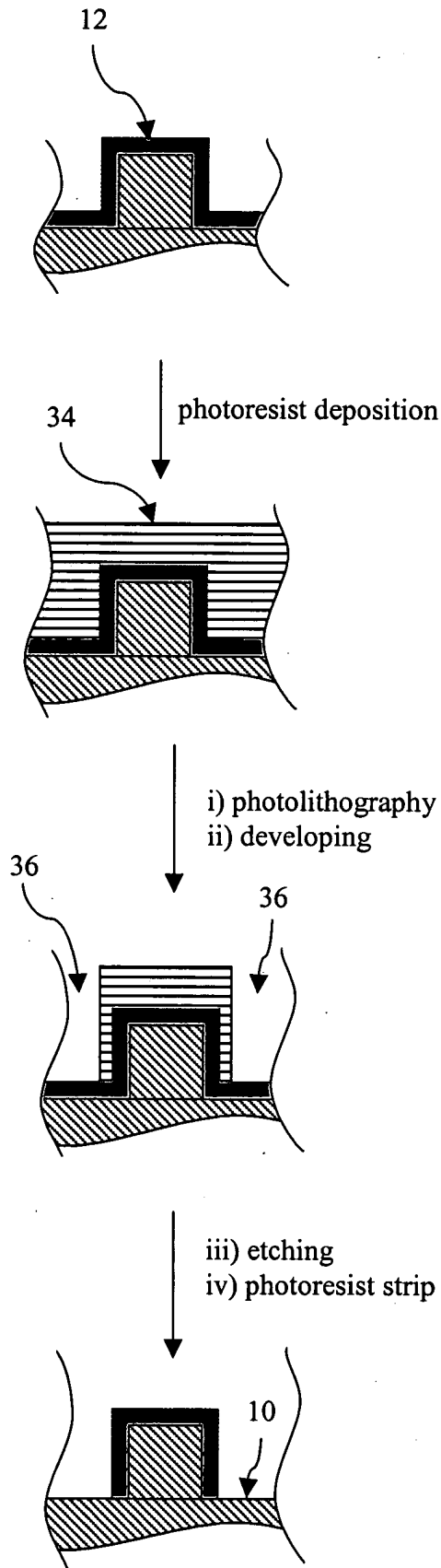


*Fig. 2b*

**Figure 3**



**Figure 4**



**Figure 5**

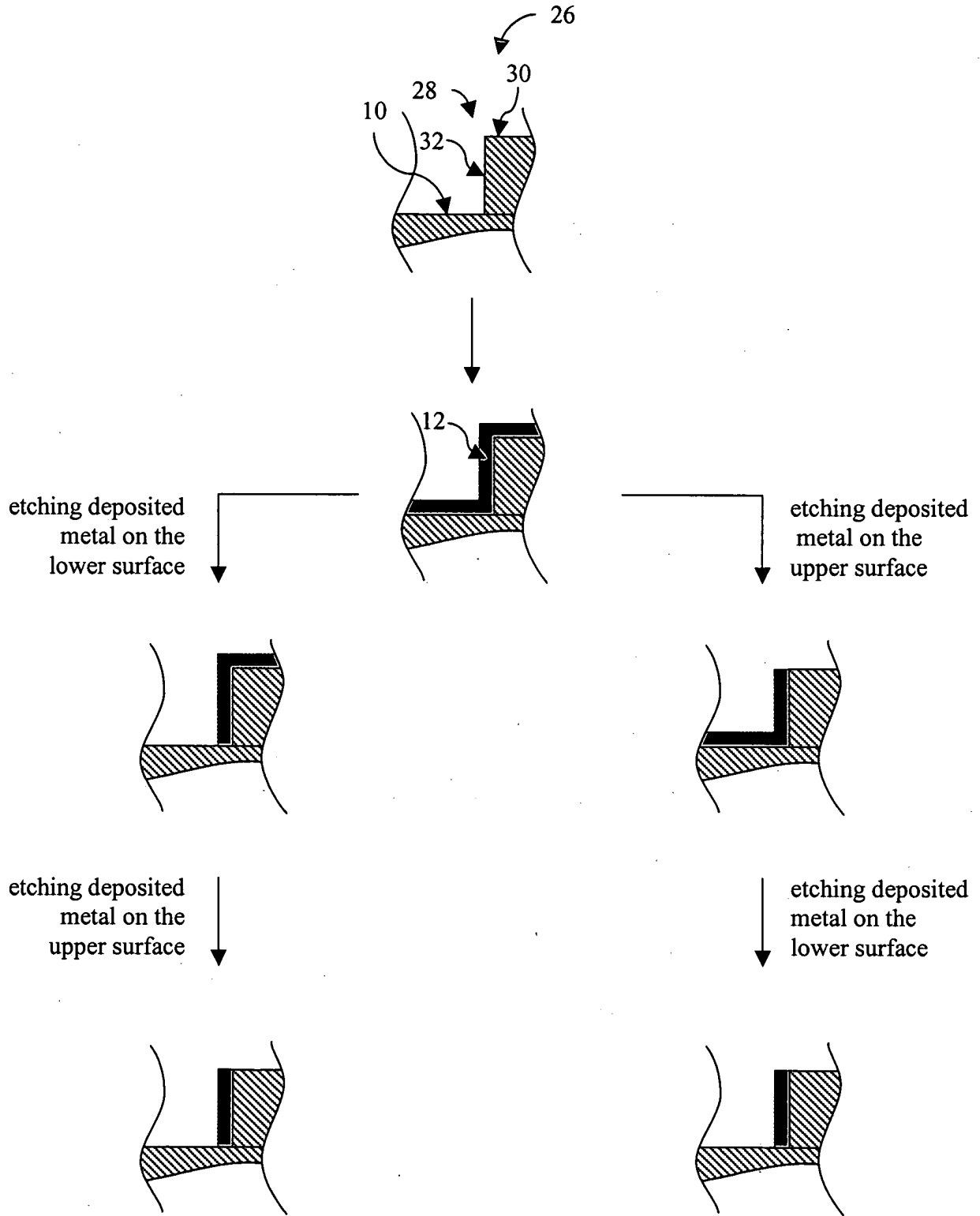
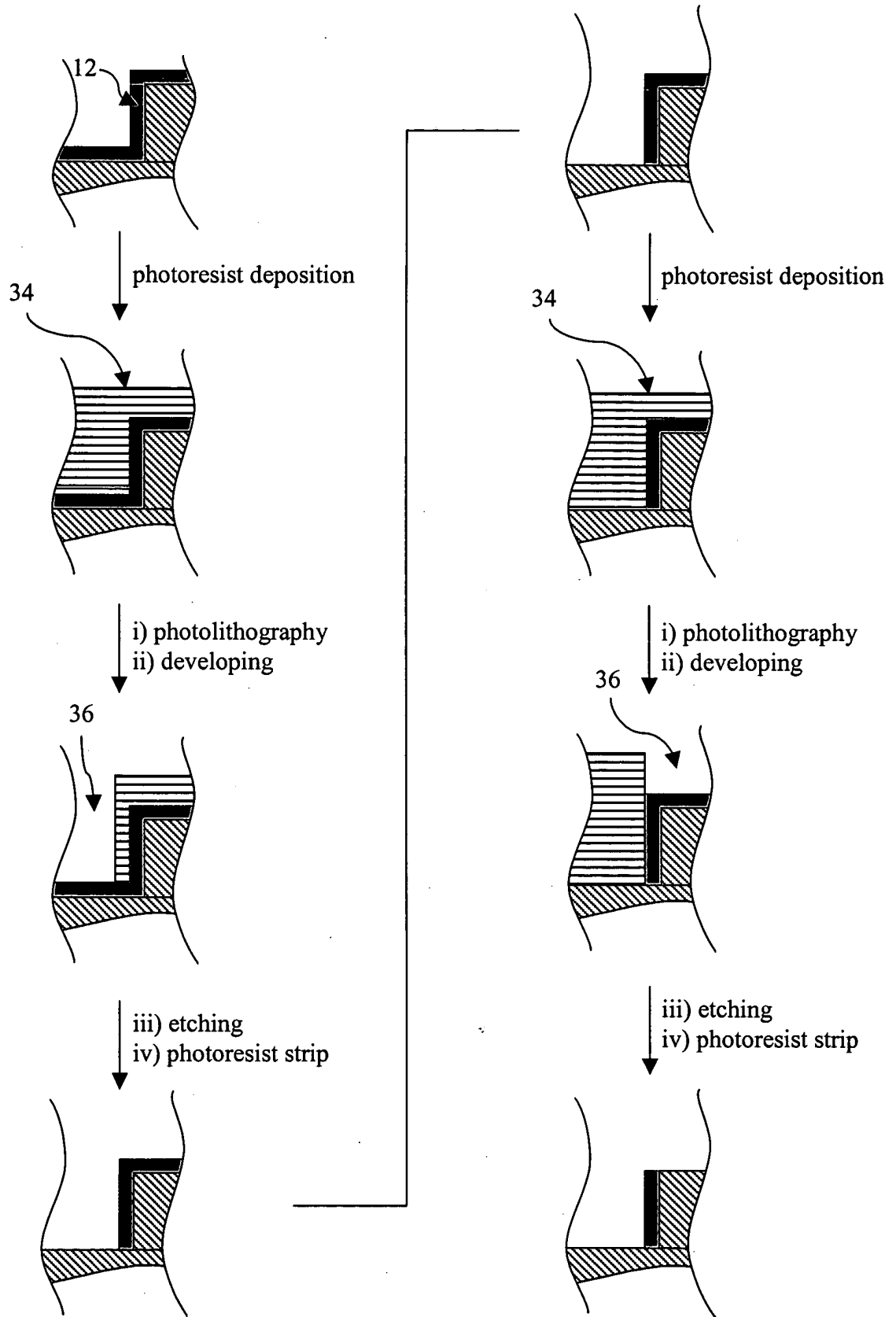
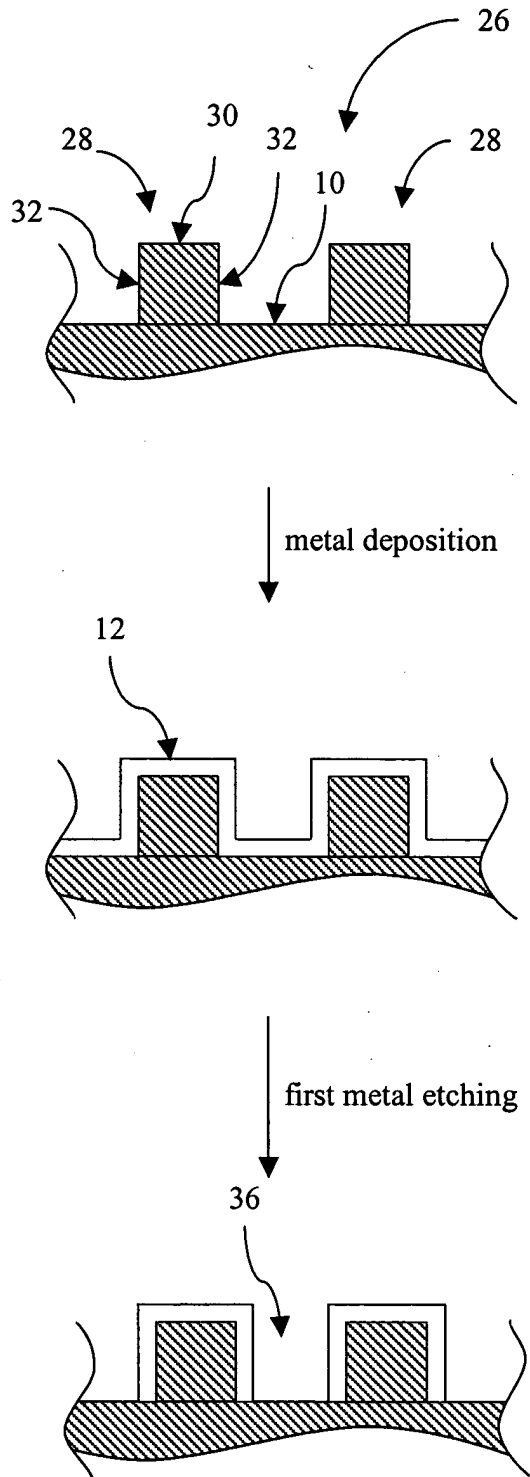


Figure 6



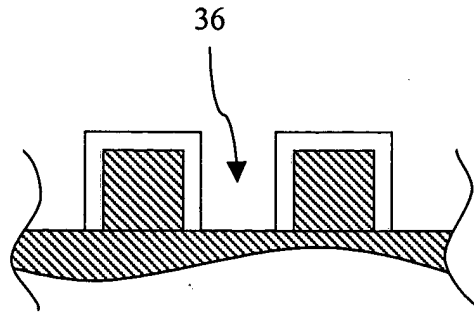
**Figure 7**



*(continued in Figure 8)*

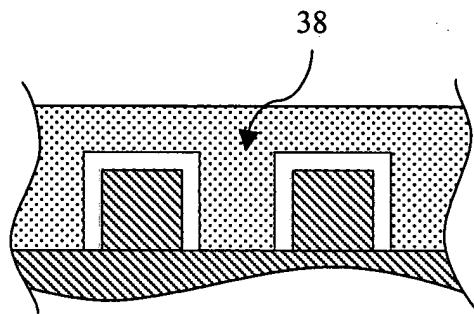


**Figure 8**

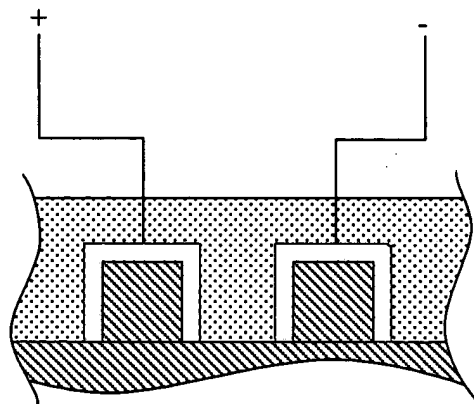


*(continued from Figure 7)*

polymer deposition



poling



**Figure 9**

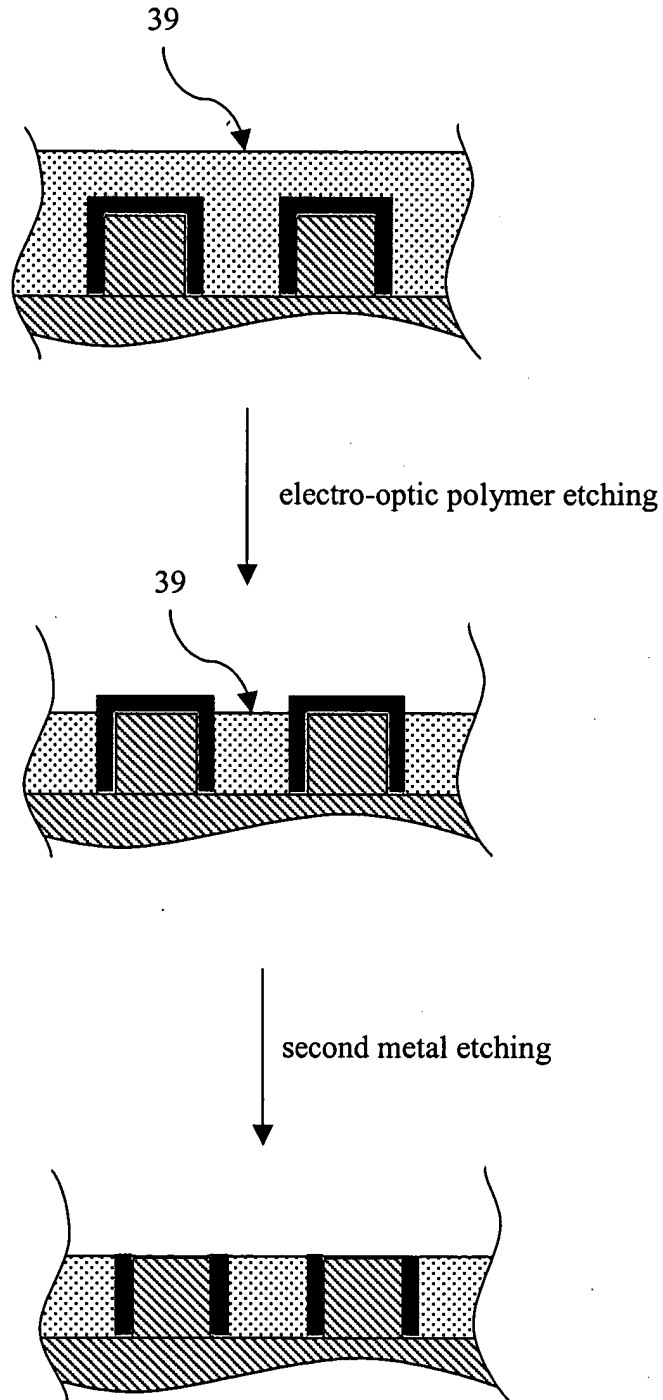
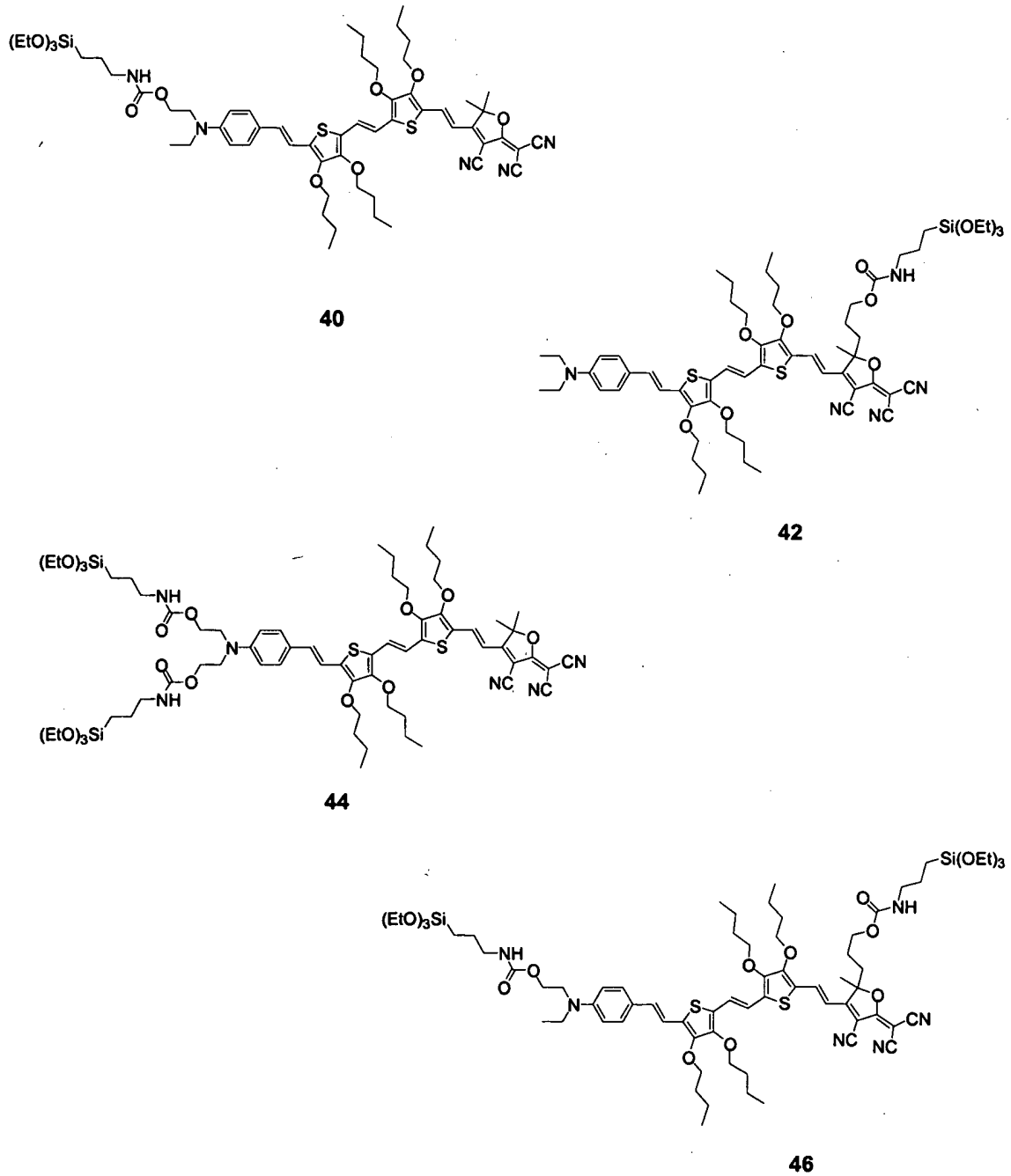


Figure 10



**Figure 11**

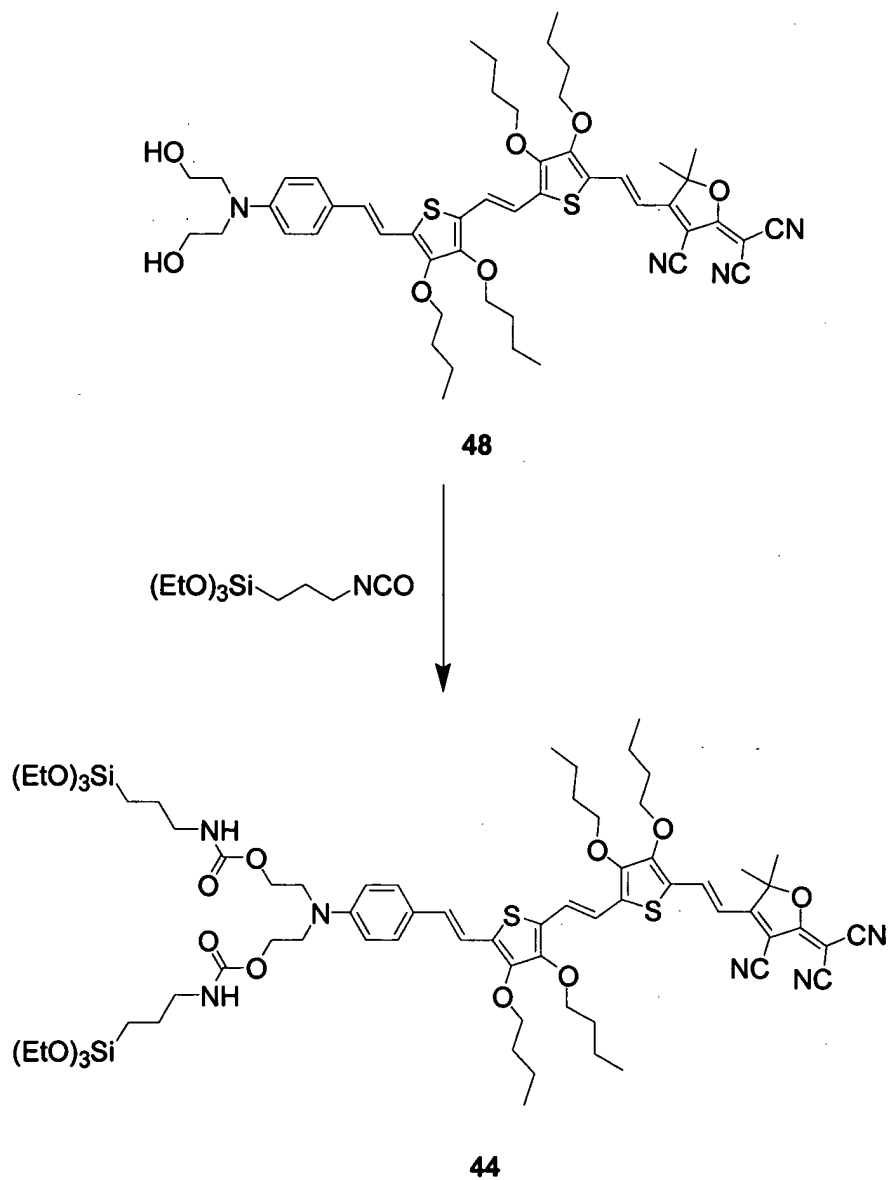


Figure 12

